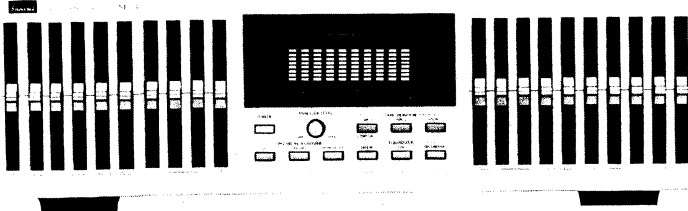


SERVICE MANUAL

STEREO GRAPHIC EQUALIZER

SANSUI SE-8



● SPECIFICATIONS

Input impedance (1,000Hz)

INPUT 30 kilohms

Output level (1,000Hz)

OUTPUT 1V into 30 kilohms
(Maximum output level: 4V at 0.5% total harmonic distortion)

Total harmonic distortion (20Hz to 20kHz)

INPUT less than 0.008%

Frequency response (at rated output, Equalizer controls:

"0" position) 10 to 100,000Hz, +0dB, -1dB

Equalizer frequency . . . 32Hz, 63Hz, 125Hz, 250Hz,
500Hz, 1kHz, 2kHz, 4kHz, 8kHz,
16kHz

Level variation range . . . ±12dB

Signal to noise ratio (short-circuit, A-network)

. 110dB

Gain (1,000Hz, Equalizer controls: "0" position)

. 0dB

Power requirements

Power voltage 100, 120, 220, 240V
(50/60Hz)

For USA and Canada

. 120V (60Hz)

Power consumption

. 12 watts

Dimensions 430mm (16-15/16") W

130mm (5-1/8") H

277mm (10-15/16") D

Using rack mounting adaptors

. 480mm (18-15/16") W

130mm (5-1/8") H

302mm (11-15/16") D

Weight

Silver panel type . . . 4.4kg (9.7lbs) net

5.3kg (11.7lbs) packed

Black panel type . . . 4.6kg (10.1lbs) net

5.5kg (12.1lbs) packed

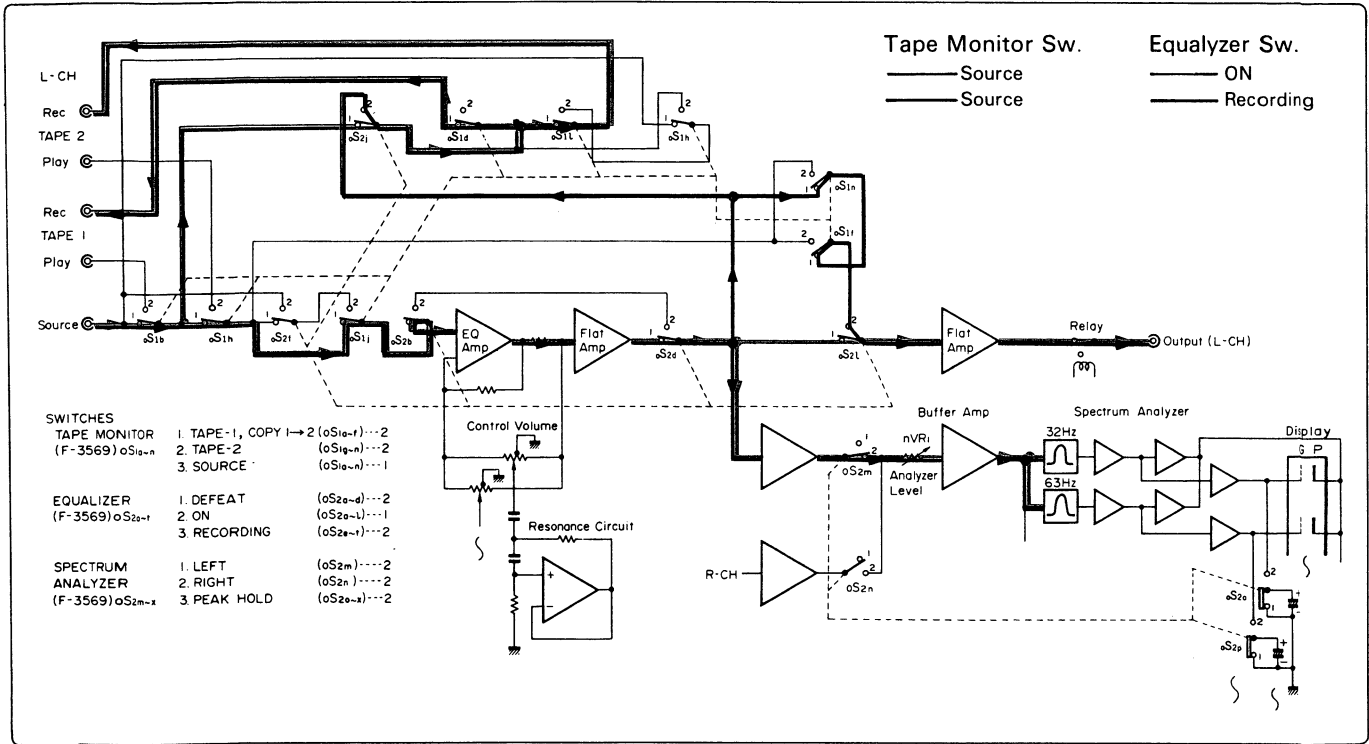
* Design and specifications subject to changes without notice for improvements.

Sansui

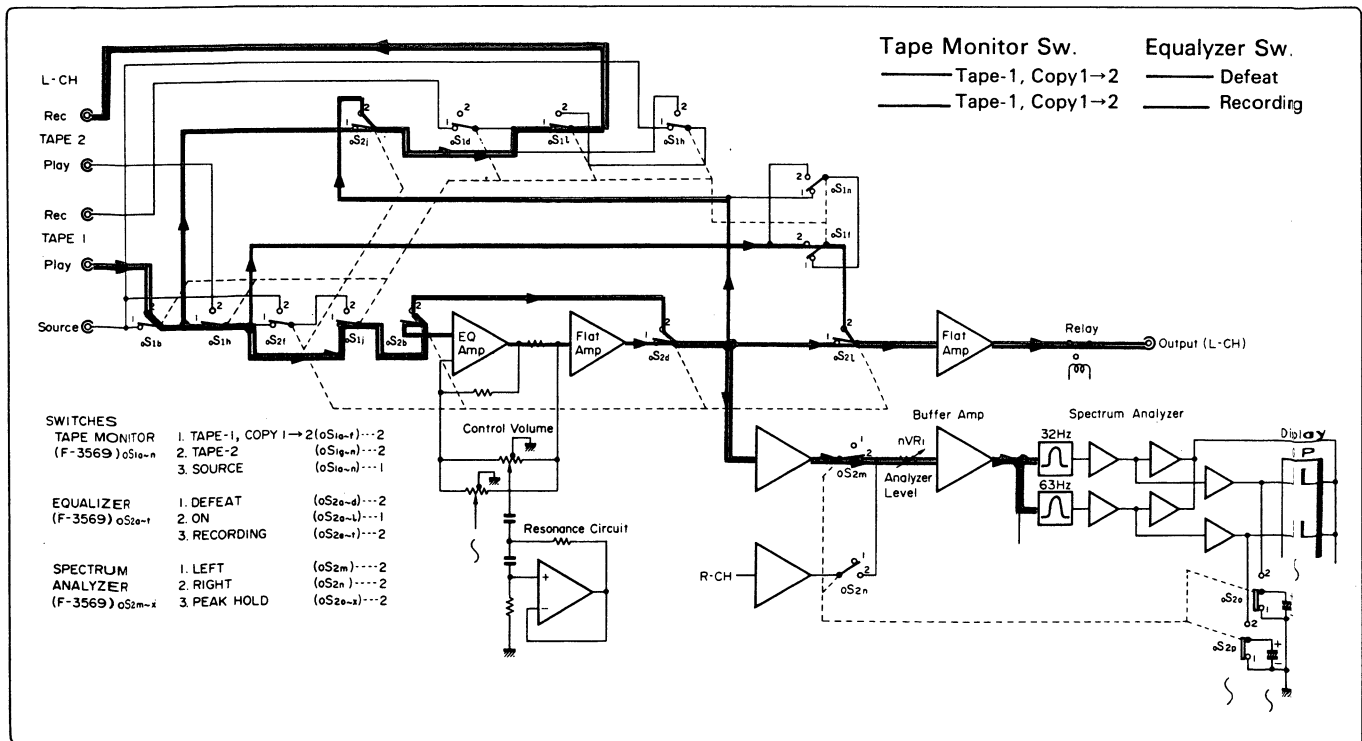
SANSUI ELECTRIC CO., LTD.

1. BLOCK DIAGRAM

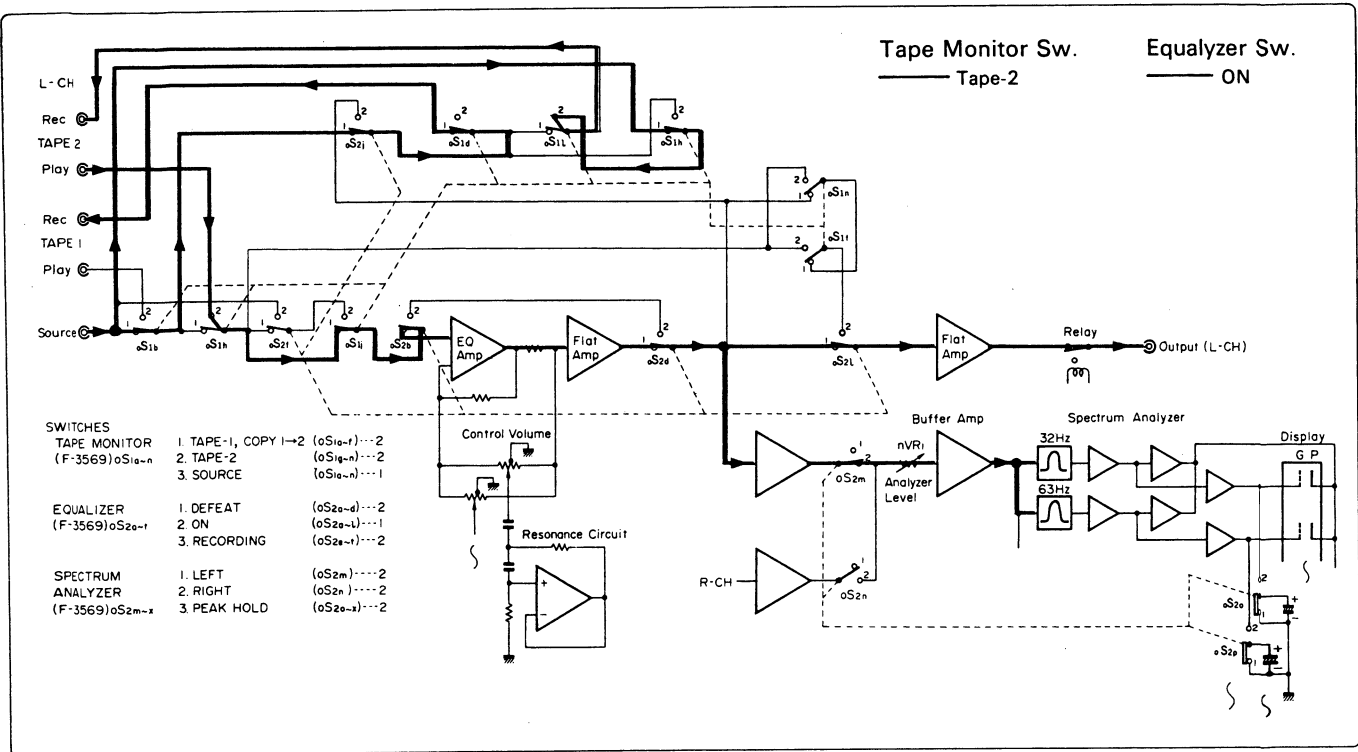
1-1.



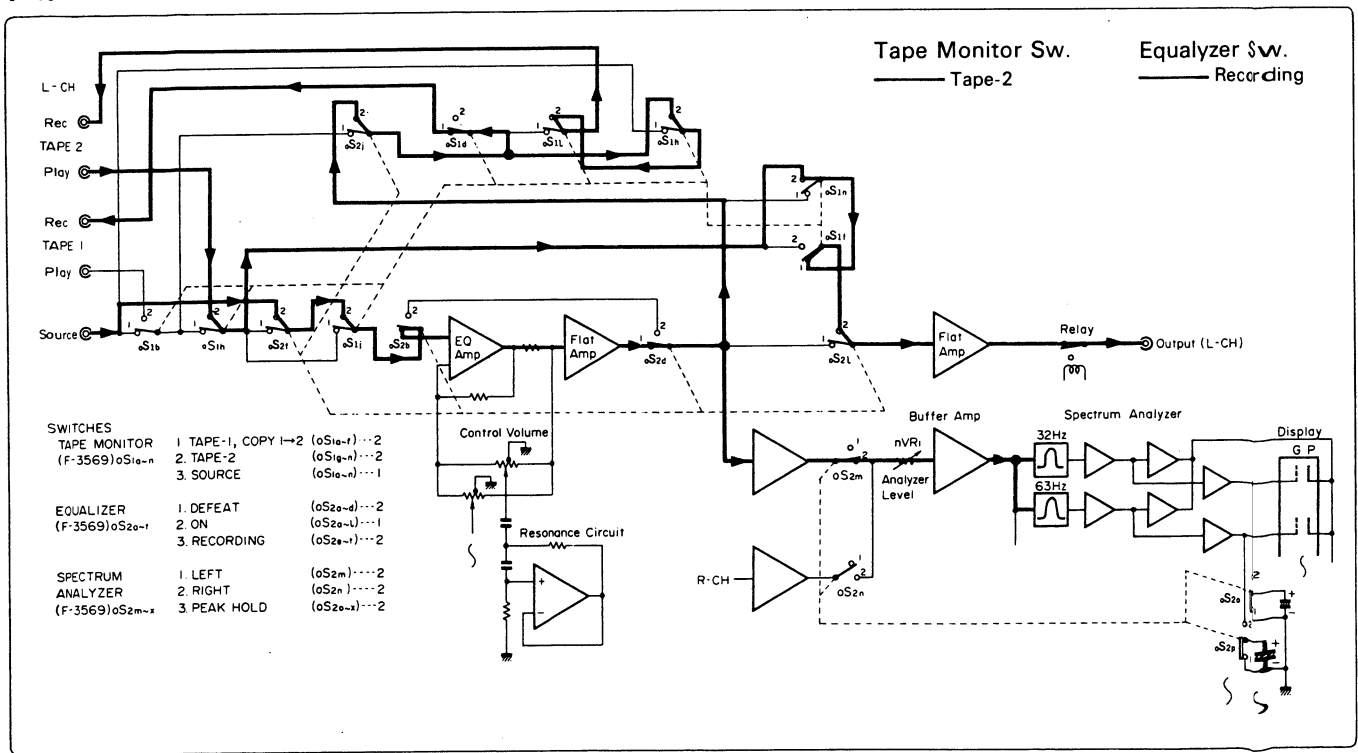
1-2.



1-3.



1-4.

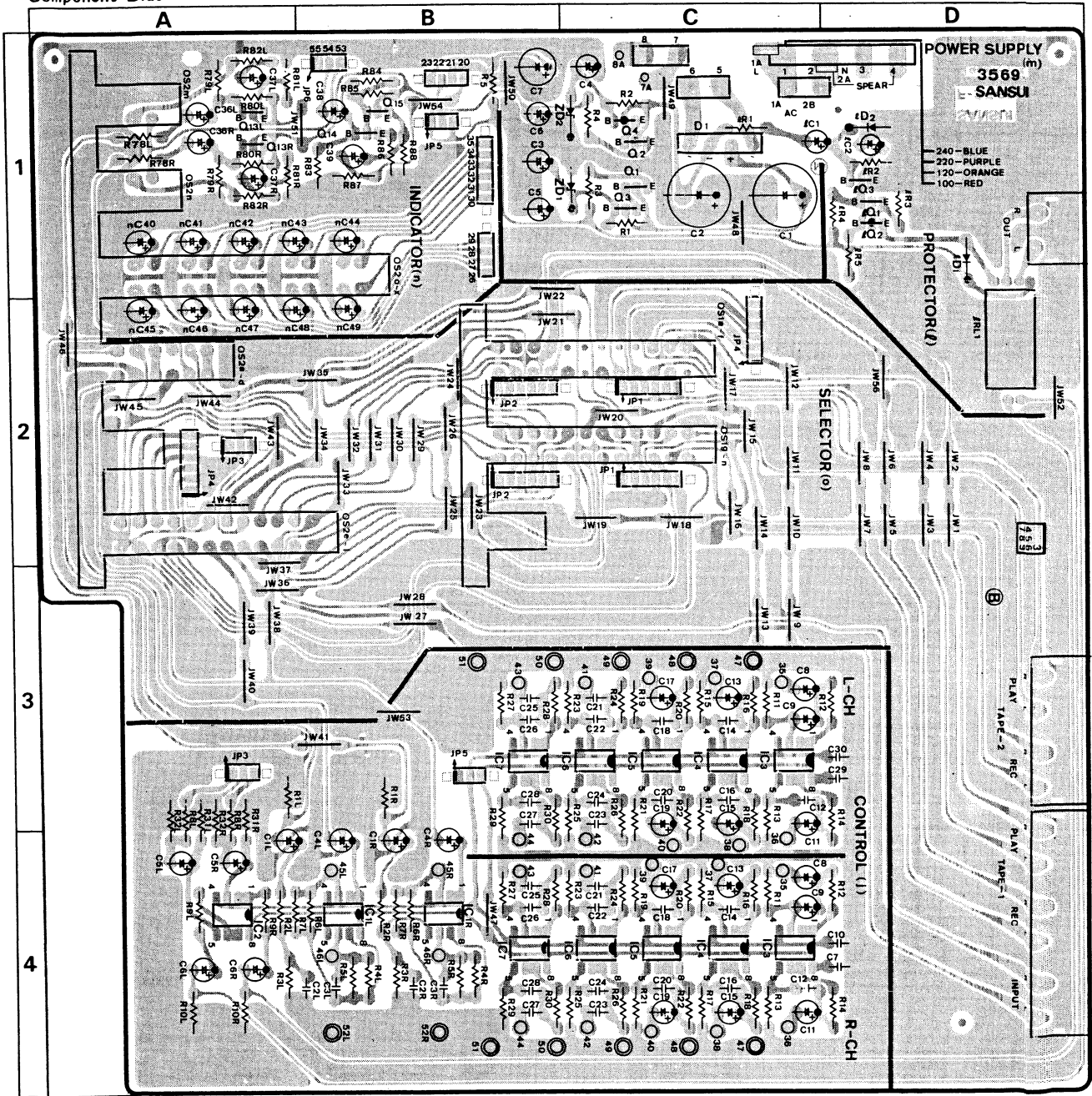


2. PARTS LOCATION & PARTS LIST

2-1. F-3569 Control & Selector Circuit Board (Stock No. 00649101)

• Since some of capacitors and resistors are omitted from parts lists in this Service Manual, refer to the Common Parts List for capacitors & resistors, which was appended previously to Sansui Manual.

Component Side



• Abbreviations

- | | |
|--|--|
| C.R. Carbon Resistor | E.L. Low Leak Electrolytic Capacitor |
| S.R. Solid Resistor | E.B. Bi-Polar Electrolytic Capacitor |
| Ce.R. Cement Resistor | E.BL. Low Leak Bi-Polar Electrolytic Capacitor |
| M.R. Metal Film Resistor | Ta.C. Tantalum Capacitor |
| F.R. Fusing Resistor | F.C. Film Capacitor |
| N.I.R. Non-Inflammable Resistor | M.P. Metalized Paper Capacitor |
| C.C. Ceramic Capacitor | P.C. Polystyrene Capacitor |
| C.T. Ceramic Capacitor, Temperature Compensation | G.C. Gimmic Capacitor |
| E.C. Electrolytic Capacitor | |

Parts List <F-3569>

Parts No.	Stock No.	Description
●IC		
jIC1	03613800	NJM4559D-D
jIC2	03607700	NJM4558D
jIC3	03607700	NJM4558D
	07265800	MB3607M
jIC4	03607700	NJM4558D
	07265800	MB3607M
jIC5	03607700	NJM4558D
	07265800	MB3607M
jIC6	03607700	NJM4558D
	07265800	MB3607M
jIC7	03607700	NJM4558D
	07265800	MB3607M
jC7	07216200	22000pF 25V C.C.
jC10	07216200	22000pF 25V C.C.
jC11	46034700	1.5μF 50V E.C.
jC12	07216600	47000pF 25V C.C.
jC14	07216300	2700pF 25V C.C.
jC16	07215900	12000pF 25V C.C.
jC18	07215600	6800pF 25V C.C.
jC20	07215100	2700pF 25V C.C.
jC21	07216500	39000pF 25V C.C.
jC22	07214800	1500pF 25V C.C.
jC23	07216100	18000pF 25V C.C.
jC24	07211700	1000pF 25V C.C.
jC25	07215800	10000pF 25V C.C.
jC26	46137500	390pF 50V C.C.
jC27	07215400	4700pF 25V C.C.
jC28	46137200	220pF 50V C.C.
jC29	07216200	22000pF 25V C.C.
jC30	07216200	22000pF 25V C.C.
●Transistor		
IQ1	07194800	2SC1815-Y
	03068301	2SC2320-E
	03059500	2SC945-R
	46125901	KTN5014-Y
IQ2	07194700	2SA1015-Y
	03012700	2SA999-E
	07197000	2SA733A-R
	46126001	KTP5514-Y
IQ3	07194801	2SC1815-GR
	03068302	2SC2320-F
	03059502	2SC945-P
	46125902	KTN5014-GR

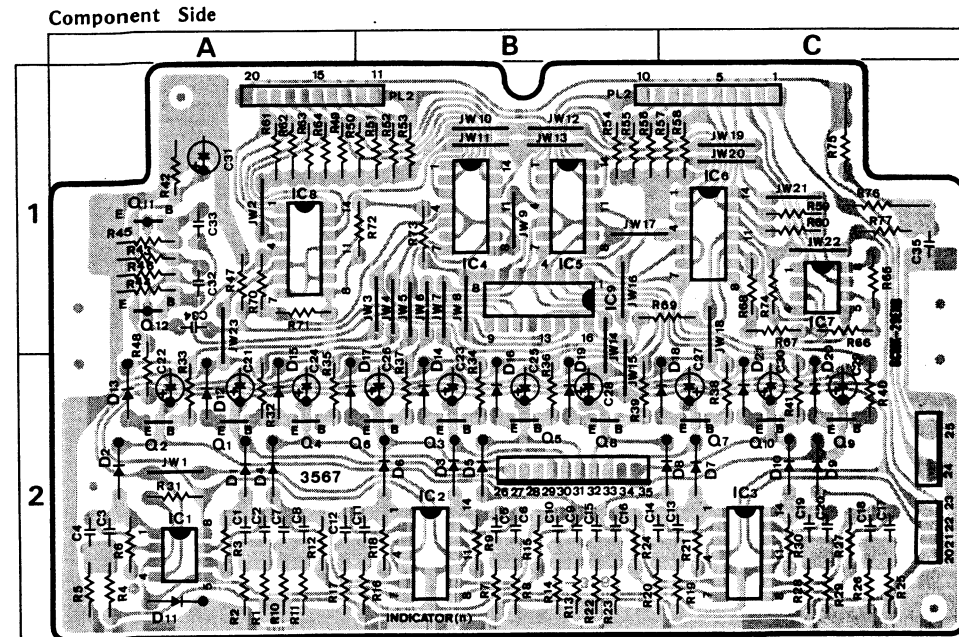
Parts No.	Stock No.	Description
●Diode		
ID1	03117600	1S2473D
	46086000	1S1588
	46092700	US1035
ID2	03117600	1S2473D
	46086000	1S1588
	46092700	US1035
IRL1	11504700	Relay
●Transistor		
mQ1	03086101	2SD357-D
mQ2	03034401	2SB527-D
mQ3	07194800	2SC1815-Y
	03068301	2SC2320-E
	03059500	2SC945-R
	46125901	KTN5014-Y
mQ4	07194700	2SA1015-Y
	03012700	2SA999-E
	07197000	2SA733A-R
	46126001	KTP5514-Y
●Diode		
mDZ1	03117000	RB-152
mDZ2	03179200	RD15E-B
●Transistor		
nQ13	07194800	2SC1815-Y
	03068301	2SC2320-E
	03059500	2SC945-R
	46125901	KTN5014-Y
nQ14	07194800	2SC1815-Y
	03068301	2SC2320-E
	03059500	2SC945-R
	46125901	KTN5014-Y
nQ15	07194800	2SC1815-Y
	03059500	2SC945-Y
	46125901	KTN5014-Y
nPL1	07234400	Lamp 8V 150mA
oS1	46133200	Tape Monitor Switch
oS2	46133100	Equalizer & Spectrum Analyzer Switch
	07249000	2P Output Terminal
	07249100	4P TAPE-2 Terminal
	07249200	6P TAPE-1 Terminal

Parts List <F-3567>

Parts No.	Stock No.	Description
●Transistor		
nQ1	07194800	2SC1815-Y
	03068301	2SC2320-E
	03059500	2SC945-R
	46125901	KTN5014-Y
nQ2	07194800	2SC1815-Y
	03068301	2SC2320-E
	03059500	2SC945-R
	46125901	KTN5014-Y
nQ3	07194800	2SC1815-Y
	03068301	2SC2320-E
	03059500	2SC945-R
	46125901	KTN5014-Y
nQ4	07194800	2SC1815-Y
	03068301	2SC2320-E
	03059500	2SC945-R
	46125901	KTN5014-Y
nQ5	07194800	2SC1815-Y
	03068301	2SC2320-E
	03059500	2SC945-R
	46125901	KTN5014-Y
nQ6	07194800	2SC1815-Y
	03068301	2SC2320-E
	03059500	2SC945-R
	46125901	KTN5014-Y
nQ7	07194800	2SC1815-Y
	03068301	2SC2320-E
	03059500	2SC945-R
	46125901	KTN5014-Y
nQ8	07194800	2SC1815-Y
	03068301	2SC2320-E
	03059500	2SC945-R
	46125901	KTN5014-Y
nQ9	07194800	2SC1815-Y
	03068301	2SC2320-E
	03059500	2SC945-R
	46125901	KTN5014-Y
nQ10	07194800	2SC1815-Y
	03068301	2SC2320-E
	03059500	2SC945-R
	46125901	KTN5014-Y
nQ11	07194700	2SA1015-Y
	03012700	2SA999-E
	07197000	2SA733A-R
	46126001	KTP5514-Y
nQ12	07194700	2SA1015-Y
	03012700	2SA999-E
	07197000	2SA733A-R
	46126001	KTP5514-Y
●IC		
nIC1	03607700	NJM4558D
	07265800	MB3607M
nIC2	07258300	MB3614M
	07205200	NJM2902N
nIC3	07258300	MB3614M
	07205200	NJM2902N
nIC4	07246300	MB4204M
	07205300	NJM2901N
nIC5	07246300	MB4204M
	07205300	NJM2901N
nIC6	07246300	MB4204M
	07205300	NJM2901N
nIC7	03607700	NJM4558D
	07265800	MB3607M
nIC8	07246300	MB4204M
	07205300	NJM2901N
nIC9	07205400	MSM4017RS
●Diode		
nD1	03117600	1S2473D
	46086000	1S1588
	46092700	US1035
nD2	03117600	1S2473D
	46086000	1S1588
	46092700	US1035
nD3	03117600	1S2473D
	46086000	1S1588
	46092700	US1035

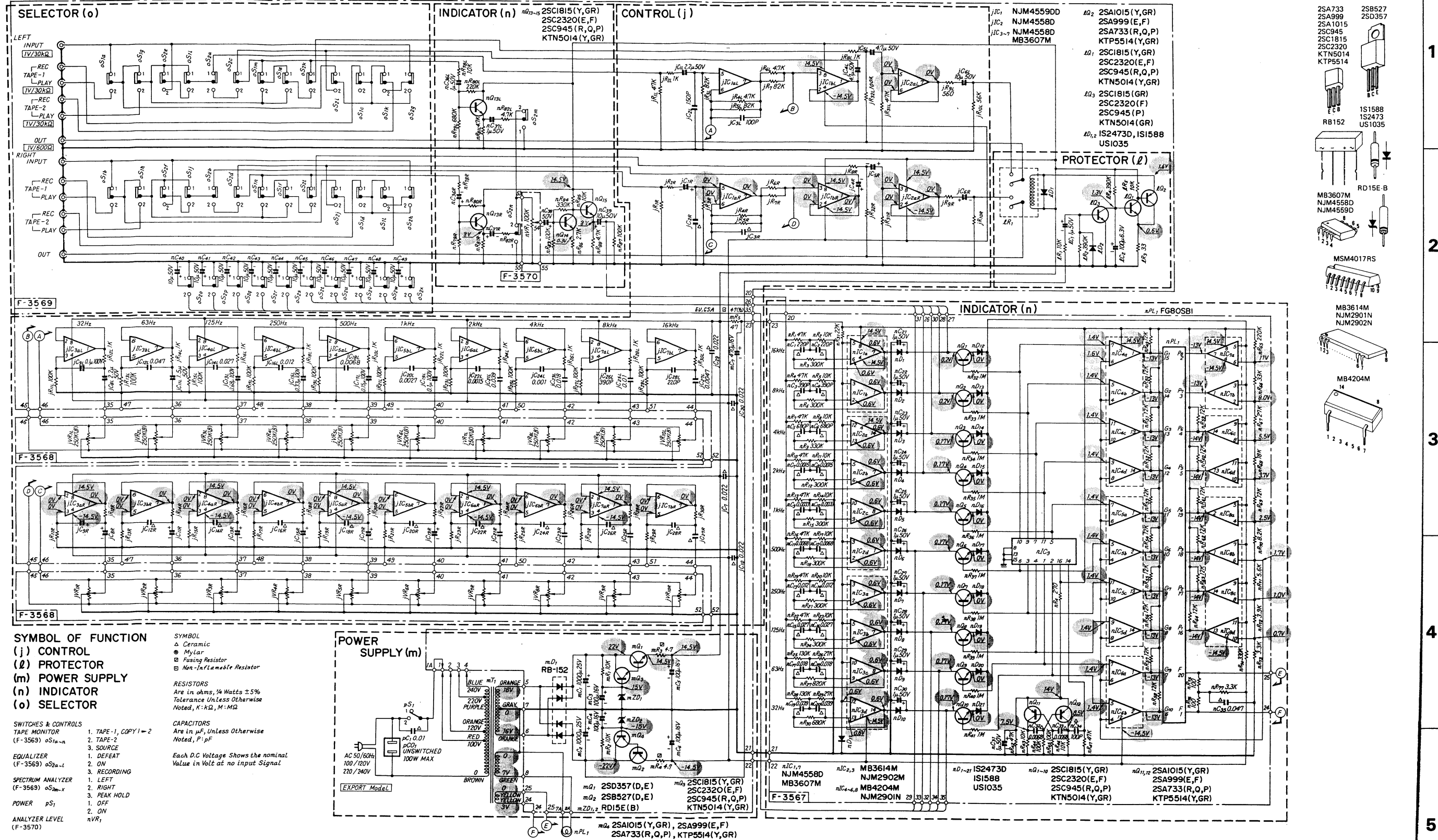
Parts No.	Stock No.	Description
nD4	03117600	1S2473D
	46086000	1S1588
	46092700	US1035
nD5	03117600	1S2473D
	46086000	1S1588
	46092700	US1035
nD6	03117600	1S2473D
	46086000	1S1588
	46092700	US1035
nD7	03117600	1S2473D
	46086000	1S1588
	46092700	US1035
nD8	03117600	1S2473D
	46086000	1S1588
	46092700	US1035
nD9	03117600	1S2473D
	46086000	1S1588
	46092700	US1035
nD10	03117600	1S2473D
	46086000	1S1588
	46092700	US1035
nD11	03117600	1S2473D
	46086000	1S1588
	46092700	US1035
nD12	03117600	1S2473D
	46086000	1S1588
	46092700	US1035
nD13	03117600	1S2473D
	46086000	1S1588
	46092700	US1035
nD14	03117600	1S2473D
	46086000	1S1588
	46092700	US1035
nD15	03117600	1S2473D
	46086000	1S1588
	46092700	US1035
nD16	03117600	1S2473D
	46086000	1S1588
	46092700	US1035
nD17	03117600	1S2473D
	46086000	1S1588
	46092700	US1035
nD18	03117600	1S2473D
	46086000	1S1588
	46092700	US1035
nD19	03117600	1S2473D
	46086000	1S1588
	46092700	US1035
nD20	03117600	1S2473D
	46086000	1S1588
	46092700	US1035
nD21	03117600	1S2473D
	46086000	1S1588
	46092700	US1035
nPL2	07203400	FG80SB6 Display Unit
nC1	35137200	220pF 50V C.C.
nC2	46137200	220pF 50V C.C.
nC3	46137500	390pF 50V C.C.
nC4	46137500	390pF 50V C.C.
nC5	46137800	680pF 50V C.C.
nC6	46137800	680pF 50V C.C.
nC7	07214800	1500pF 25V C.C.
nC8	07214800	1500pF 25V C.C.
nC9	07215200	3300pF 25V C.C.
nC10	07215200	3300pF 25V C.C.
nC11	07215600	6800pF 25V C.C.
nC12	07215600	6800pF 25V C.C.
nC13	07215900	12000pF 25V C.C.
nC14	07215900	12000pF 25V C.C.
nC15	07216300	27000pF 25V C.C.
nC16	07216300	27000pF 25V C.C.
nC17	07216100	18000pF 25V C.C.
nC18	07216100	18000pF 25V C.C.
nC19	07216500	3900pF 25V C.C.
nC20	07216500	3900pF 25V C.C.
nC32	07215600	6800pF 25V C.C.
nC33	07215600	6800pF 25V C.C.
nC35	07216600	47000pF 25V C.C.

2-2. F-3567 Spectrum Analyzer Circuit Board (Stock No. 00648901)



• Design and specifications subject to change without notice for improvement.
 • La présentation et les spécifications sont susceptibles d'être modifiées sans préavis par suites d'améliorations éventuelles.
 • Änderungen, die dem technischen Fortschritt dienen, bleiben vorbehalten.

3. SCHEMATIC DIAGRAM



Parts List <F-3569>

Parts No.	Stock No.	Description
●IC		
j1C1	03613800	NJM4559D-D
j1C2	03607700	NJM4558D
j1C3	03607700	NJM4558D
	07265800	MB3607M
j1C4	03607700	NJM4558D
	07265800	MB3607M
j1C5	03607700	NJM4558D
	07265800	MB3607M
j1C6	03607700	NJM4558D
	07265800	MB3607M
j1C7	03607700	NJM4558D
	07265800	MB3607M
jC7	07216200	22000pF 25V C.C.
jC10	07216200	22000pF 25V C.C.
jC11	46034700	1.5μF 50V E.C.
jC12	07216600	47000pF 25V C.C.
jC14	07216300	2700pF 25V C.C.
jC16	07215900	12000pF 25V C.C.
jC18	07215600	6800pF 25V C.C.
jC20	07215100	2700pF 25V C.C.
jC21	07216500	39000pF 25V C.C.
jC22	07214800	1500pF 25V C.C.
jC23	07216100	18000pF 25V C.C.
jC24	07211700	1000pF 25V C.C.
jC25	07215800	10000pF 25V C.C.
jC26	46137500	390pF 50V C.C.
jC27	07215400	4700pF 25V C.C.
jC28	46137200	220pF 50V C.C.
jC29	07216200	22000pF 25V C.C.
jC30	07216200	22000pF 25V C.C.
●Transistor		
IQ1	07194800	2SC1815-Y
	03068301	2SC2320-E
	03059500	2SC945-R
	46125901	KTN5014-Y
IQ2	07194700	2SA1015-Y
	03012700	2SA999-E
	07197000	2SA733A-R
	46126001	KTP5514-Y
IQ3	07194801	2SC1815-GR
	03068302	2SC2320-F
	03059502	2SC945-P
	46125902	KTN5014-GR

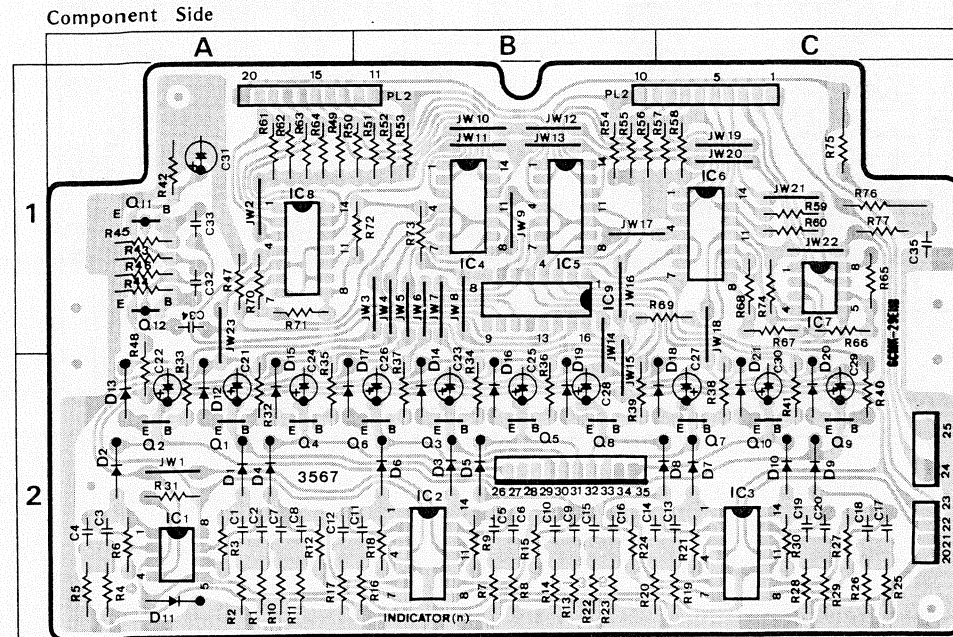
Parts No.	Stock No.	Description
●Diode		
ID1	03117600	1S2473D
	46086000	1S1588
	46092700	US1035
ID2	03117600	1S2473D
	46086000	1S1588
	46092700	US1035
IRL1	11504700	Relay
●Transistor		
mQ1	03086101	2SD357-D
mQ2	03034401	2SB527-D
mQ3	07194800	2SC1815-Y
	03068301	2SC2320-E
	03059500	2SC945-R
	46125901	KTN5014-Y
mQ4	07194700	2SA1015-Y
	03012700	2SA999-E
	07197000	2SA733A-R
	46126001	KTP5514-Y
●Diode		
mDZ1	03117000	RB-152
mDZ2	03179200	RD15E-B
●Transistor		
nQ13	07194800	2SC1815-Y
	03068301	2SC2320-E
	03059500	2SC945-R
	46125901	KTN5014-Y
nQ14	07194800	2SC1815-Y
	03068301	2SC2320-E
	03059500	2SC945-R
	46125901	KTN5014-Y
nQ15	07194800	2SC1815-Y
	03059500	2SC945-Y
	46125901	KTN5014-Y
nPL1	07234400	Lamp 8V 150mA
oS1	46133200	Tape Monitor Switch
oS2	46133100	Equalizer & Spectrum Analyzer Switch
	07249000	2P Output Terminal
	07249100	4P TAPE-2 Terminal
	07249200	6P TAPE-1 Terminal

Parts List <F-3567>

Parts No.	Stock No.	Description
●Transistor		
nQ1	07194800	2SC1815-Y
	03068301	2SC2320-E
	03059500	2SC945-R
	46125901	KTN5014-Y
nQ2	07194800	2SC1815-Y
	03068301	2SC2320-E
	03059500	2SC945-R
	46125901	KTN5014-Y
nQ3	07194800	2SC1815-Y
	03068301	2SC2320-E
	03059500	2SC945-R
	46125901	KTN5014-Y
nQ4	07194800	2SC1815-Y
	03068301	2SC2320-E
	03059500	2SC945-R
	46125901	KTN5014-Y
nQ5	07194800	2SC1815-Y
	03068301	2SC2320-E
	03059500	2SC945-R
	46125901	KTN5014-Y
nQ6	07194800	2SC1815-Y
	03068301	2SC2320-E
	03059500	2SC945-R
	46125901	KTN5014-Y
nQ7	07194800	2SC1815-Y
	03068301	2SC2320-E
	03059500	2SC945-R
	46125901	KTN5014-Y
nQ8	07194800	2SC1815-Y
	03068301	2SC2320-E
	03059500	2SC945-R
	46125901	KTN5014-Y
nQ9	07194800	2SC1815-Y
	03068301	2SC2320-E
	03059500	2SC945-R
	46125901	KTN5014-Y
nQ10	07194800	2SC1815-Y
	03068301	2SC2320-E
	03059500	2SC945-R
	46125901	KTN5014-Y
nQ11	07194700	2SA1015-Y
	03012700	2SA999-E
	07197000	2SA733A-R
	46126001	KTP5514-Y
nQ12	07194700	2SA1015-Y
	03012700	2SA999-E
	07197000	2SA733A-R
	46126001	KTP5514-Y
●IC		
n1C1	03607700	NJM4558D
	07265800	MB3607M
n1C2	07258300	MB3614M
	07205200	NJM2902N
n1C3	07258300	MB3614M
	07205200	NJM2902N
n1C4	07246300	MB4204M
	07205300	NJM2901N
n1C5	07246300	MB4204M
	07205300	NJM2901N
n1C6	07246300	MB4204M
	07205300	NJM2901N
n1C7	03607700	NJM4558D
	07265800	MB3607M
n1C8	07246300	MB4204M
	07205300	NJM2901N
n1C9	07205400	MSM4017RS
●Diode		
nD1	03117600	1S2473D
	46086000	1S1588
	46092700	US1035
nD2	03117600	1S2473D
	46086000	1S1588
	46092700	US1035
nD3	03117600	1S2473D
	46086000	1S1588
	46092700	US1035

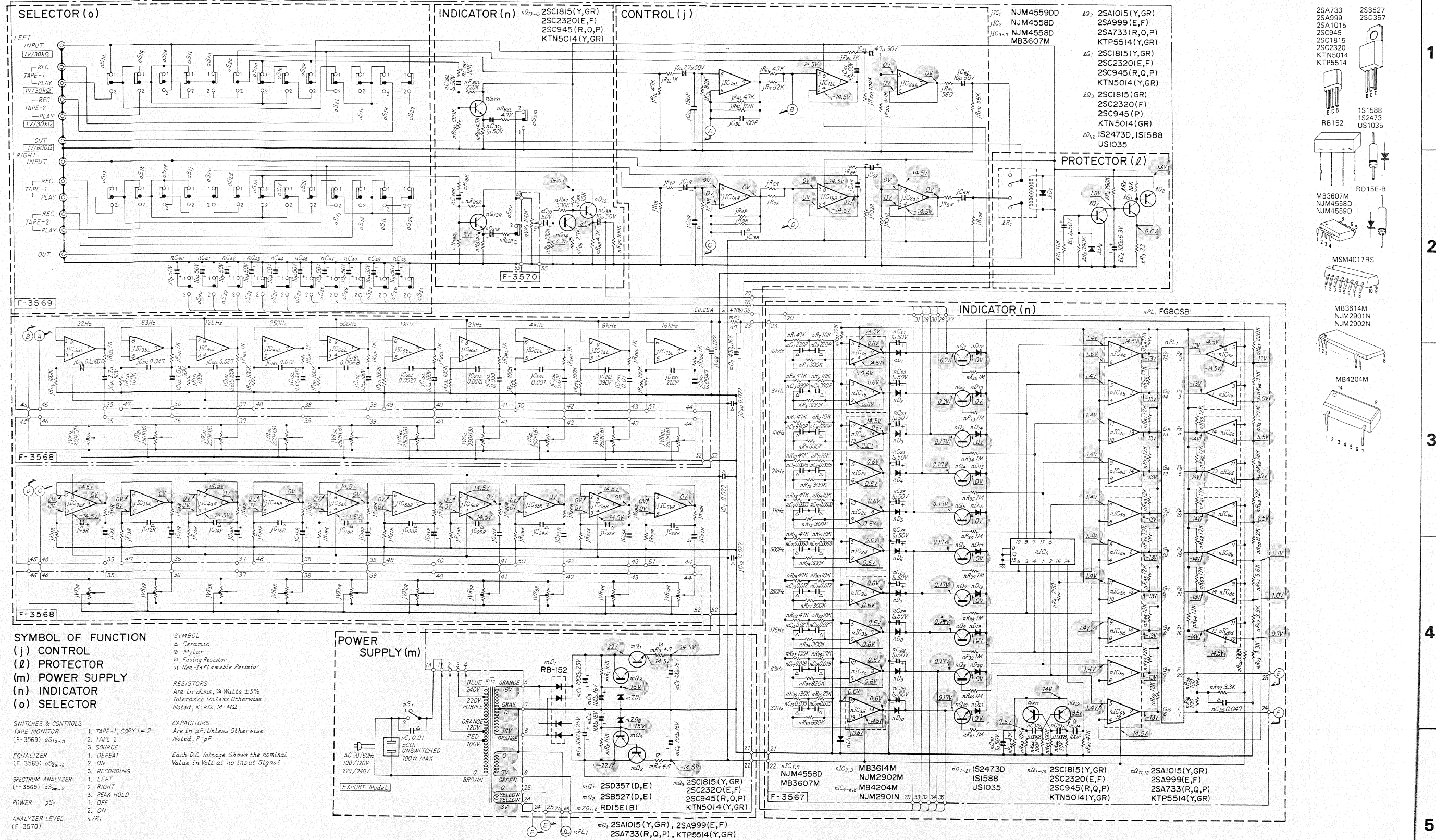
Parts No.	Stock No.	Description
nD4	03117600	1S2473D
	46086000	1S1588
	46092700	US1035
nD5	03117600	1S2473D
	46086000	1S1588
	46092700	US1035
nD6	03117600	1S2473D
	46086000	1S1588
	46092700	US1035
nD7	03117600	1S2473D
	46086000	1S1588
	46092700	US1035
nD8	03117600	1S2473D
	46086000	1S1588
	46092700	US1035
nD9	03117600	1S2473D
	46086000	1S1588
	46092700	US1035
nD10	03117600	1S2473D
	46086000	1S1588
	46092700	US1035
nD11	03117600	1S2473D
	46086000	1S1588
	46092700	US1035
nD12	03117600	1S2473D
	46086000	1S1588
	46092700	US1035
nD13	03117600	1S2473D
	46086000	1S1588
	46092700	US1035
nD14	03117600	1S2473D
	46086000	1S1588
	46092700	US1035
nD15	03117600	1S2473D
	46086000	1S1588
	46092700	US1035
nD16	03117600	1S2473D
	46086000	1S1588
	46092700	US1035
nD17	03117600	1S2473D
	46086000	1S1588
	46092700	US1035
nD18	03117600	1S2473D
	46086000	1S1588
	46092700	US1035
nD19	03117600	1S2473D
	46086000	1S1588
	46092700	US1035
nD20	03117600	1S2473D
	46086000	1S1588
	46092700	US1035
nD21	03117600	1S2473D
	46086000	1S1588
	46092700	US1035
nPL2	07203400	FG80SB6 Display Unit
nC1	35137200	220pF 50V C.C.
nC2	46137200	220pF 50V C.C.
nC3	46137500	390pF 50V C.C.
nC4	45137500	390pF 50V C.C.
nC5	46137800	680pF 50V C.C.
nC6	46137800	680pF 50V C.C.
nC7	07214800	1500pF 25V C.C.
nC8	07214800	1500pF 25V C.C.
nC9	07215200	3300pF 25V C.C.
nC10	07215200	3300pF 25V C.C.
nC11	07215600	6800pF 25V C.C.
nC12	07215600	6800pF 25V C.C.
nC13	07215900	12000pF 25V C.C.
nC14	07215900	12000pF 25V C.C.
nC15	07216300	27000pF 25V C.C.
nC16	07216300	27000pF 25V C.C.
nC17	07216100	18000pF 25V C.C.
nC18	07216100	18000pF 25V C.C.
nC19	07216500	3900pF 25V C.C.
nC20	07216500	3900pF 25V C.C.
nC32	07215600	6800pF 25V C.C.
nC33	07215600	6800pF 25V C.C.
nC35	07216600	47000pF 25V C.C.

2-2. F-3567 Spectrum Analyzer Circuit Board (Stock No. 00648901)



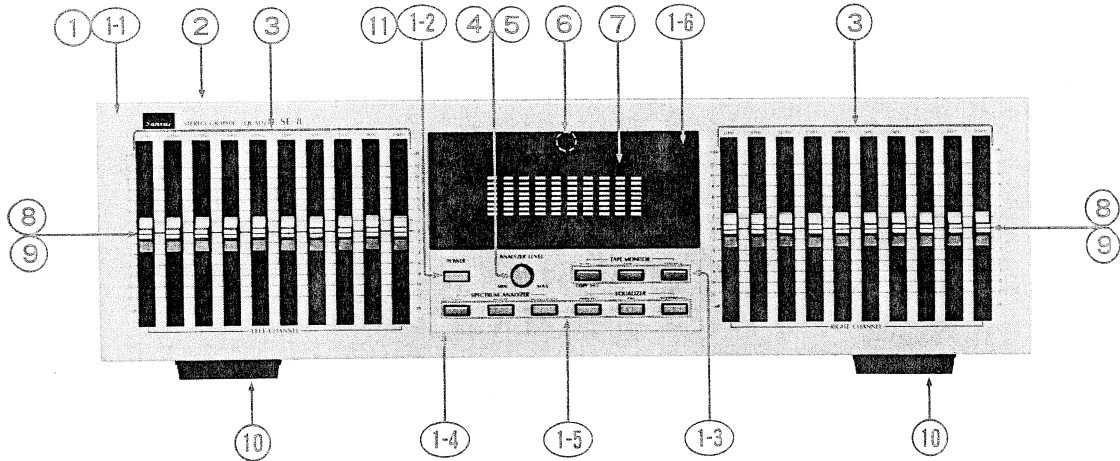
• Design and specifications subject to change without notice for improvement.
 • La présentation et les spécifications sont susceptibles d'être modifiées sans préavis par suites d'améliorations éventuelles.
 • Änderungen, die dem technischen Fortschritt dienen, bleiben vorbehalten.

3. SCHEMATIC DIAGRAM

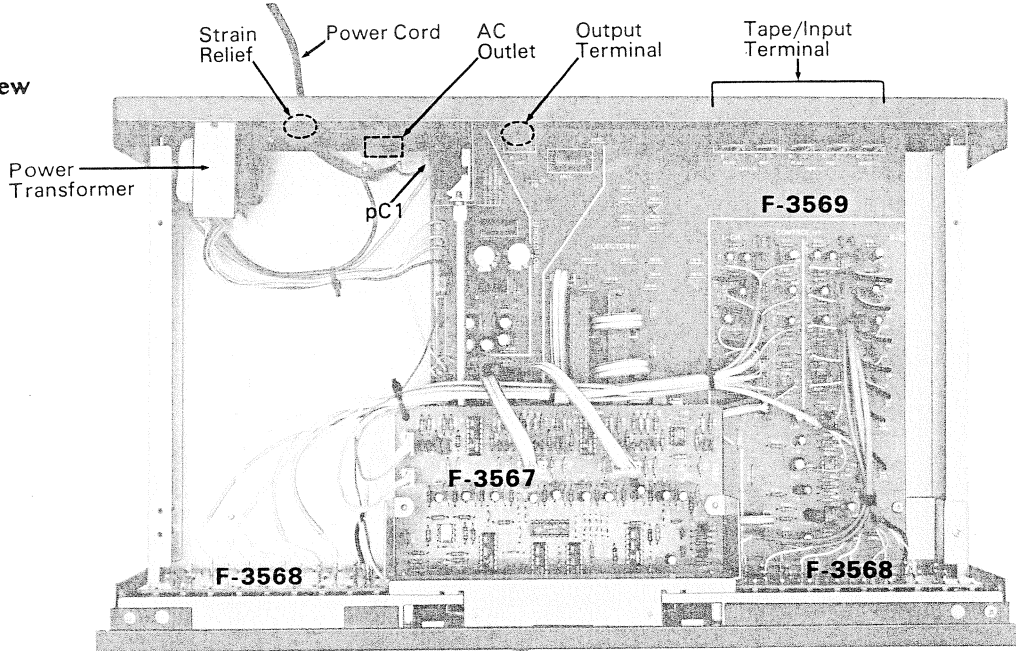


4. OTHER PARTS

4-1. Front View



4-2. Top View



Parts List <Front View>

Parts No.	Stock No.	Description
1	07802500	Front Panel Ass'y <Silver Model>
1-1		Front Panel
1-2	07630800	Push Switch Knob
1-3	07800900	Push Switch Knob
1-4	07789400	Sub Panel
1-5	07801000	Push Knob Ass'y
1-6	07798300	Dial Window
1	07802400	Front Panel Ass'y <Black Model>
1-1		Front Panel
1-2	07630900	Push Switch Knob
1-3	07630900	Push Switch Knob
1-4	07789300	Sub Panel
1-5	07554000	Push Switch Knob
1-6	07798300	Dial Window
2	07610900	Bonnet <Silver Model>
	07611000	Bonnet <Black Model>
3	07788900	Slide Volume Hood <Silver Model>
	07802800	Slide Volume Hood <Black Model>
4	46089800	100kΩB, Analyzer Level Volume
5	07614300	Knob <Silver Model>
	07680600	Knob <Black Model>
6	07234400	Pilot Lamp, 8V 150mA

Parts No.	Stock No.	Description
7	07798600	Dial Plate
8	07777700	Slide Volume Knob <Silver Model>
	07767000	Slide Volume Knob <Black Model>
9	46132500	250kΩ Slide Volume, control volume
10	07662900	Leg
11	46087300	Power Switch

Parts List <Top View>

Parts No.	Stock No.	Description
mT1	15004401	Power Transformer
pC1	08302600	10000pF 400V C.C.
	38004700	Power Cord
	39106000	Strain Relief
	07249000	2P Output Terminal
	07249100	4P TAPE-2 Terminal
	07249200	6P TAPE-1 Terminal
	07189600	AC Outlet

